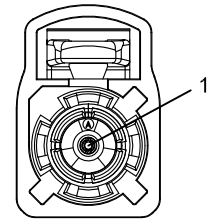
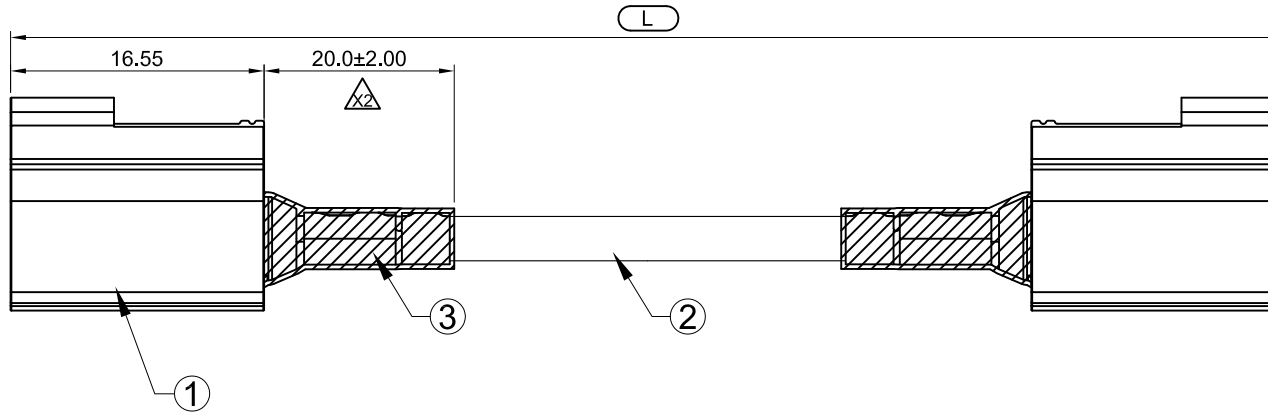


Front View Side A



Front View Side B

ELECTRICAL TEST:

- 1.CABLE MUST BE OPEN,SHORT,MISWIRED 100% TEST.
- 2.Impedance: 50ohm (NOMINAL)
- 3.Temperature range: -40°C TO +105°C \triangle
- 4.PART NO.

\triangle C7 S2 4 XX 3 A01S E XXX
1 2 3 4 5 6 7 8

1.SERIES NO.

C7=BNC TYPE

2.CONNECTOR OPTION:

S2=Fakra 180°/Fakra 180°

3.CONTACT TYPE

4=F/F

4.CODE:

AA=A/A ; BB=B/B ; CC=C/C;

DD=D/D ; ; ZZ=Z/Z

5.CABLE COLOR:

3=Black

6.TYPE.

A01=None Logo

\triangle A01S=COXOC Logo

7.GREEN OPTION:

E=RoHS

8.Length:

1M0=1000±20mm

2M0=2000±35mm

5M0=5000±50mm

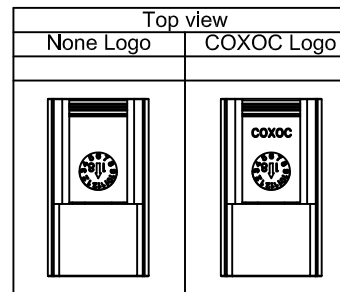
PIN OUT

Side A

Side B

1 SIGNAL WIRE 1

Shield Shield



For SIP

ITEM	PART	DESCRIPTION	QTY
3	H.S.T	HEAT SHRINK TUBE OD:5.0mm, Black	2
2	Cable	RG-174/U:26AWG Coaxial +Braid OD:2.7±0.15, Jacket:PVC,Black	A/R
1	Fakra Straight Jack	Thermoplastic UL94V-0, 30u" Gold	2

UNLESS OTHERWISE SPECIFIED TOLERANCE	
ANG.	± 2°
0.	± 0.30
.0	± 0.20
.00	± 0.10

SCALE: AS SHOWN UNIT: mm



CHANT SINCERE CO.,LTD
TEL:886-02-86471251 FAX:886-02-86472962

Zone	Revision	DESCRIPTION	DATE	SIZE	REV.	Code:	Customer:
(2,B)	X4	Update PN & DIM	23/03/2021	A4	X4	GC	
	X3	Update	03/12/2020				
	X2	Modify Tolerance & add H.S.T	28/06/2019				

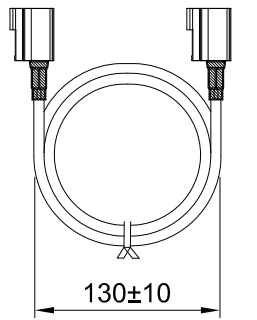
DRAWN	Vicky	23/03/2021	Title:PDR-19063
CHECKED			Fakra Straight Jack Cable (RG-174/U)
APPROVED			C7S24XX3A01SEXXX
			1/3
			C

		1	2	3	4	5	6	7	8	9	10
Codings 1:1											
Coding	A	B	C	D	E	F	G				
Plug											
Color	Black	White	Blue	Bordeaux Violet	Green	Brown	Grey				
RAL	sim.9005	sim.9001	sim.5005	sim.4004	sim.6002	sim.8011	sim.7031				
Coding	H	I	K	L	M	N	Z				
Plug											
Color	Violet	Beige	Curry	Carmine Red	Pastel Orange	Pastel Green	Water Blue				
RAL	sim.4003	sim.1001	sim.1027	sim.3002	sim.2003	sim.6019	sim.5021				

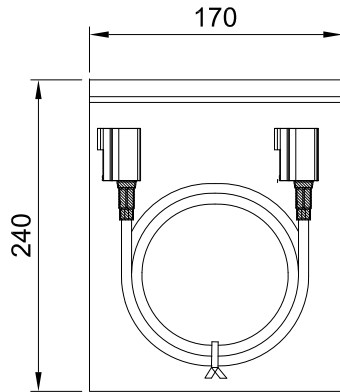
3	H.S.T	HEAT SHRINK TUBE OD:5.0mm, Black	2
2	Cable	RG-174/U:26AWG Coaxial +Braid OD:2.7±0.15, Jacket:PVC,Black	A/R
1	Fakra Straight Jack	Thermoplastic UL94V-0, 30u" Gold	2
ITEM	PART	DESCRIPTION	QTY

UNLESS OTHERWISE SPECIFIED TOLERANCE		 CHANT SINCERE CO.,LTD TEL:886-02-86471251 FAX:886-02-86472962
ANG.	± 2°	
0.	± 0.30	
.0	± 0.20	
.00	± 0.10	
SCALE:	AS SHOWN	UNIT: mm

	X4	Change outline	23/03/2021	DRAWN	Vicky	23/03/2021	Title:PDR-19063		
	X3	Update	03/12/2020	CHECKED			Fakra Straight Jack Cable (RG-174/U)	2/3	
	X2	Modify Tolerance & add H.S.T	28/06/2019	APPROVED			C7S24XX3A01SEXXX	C	
Zone	Revision	DESCRIPTION	DATE	⊕	SIZE A4	REV.	X4	Code: GC	Customer:



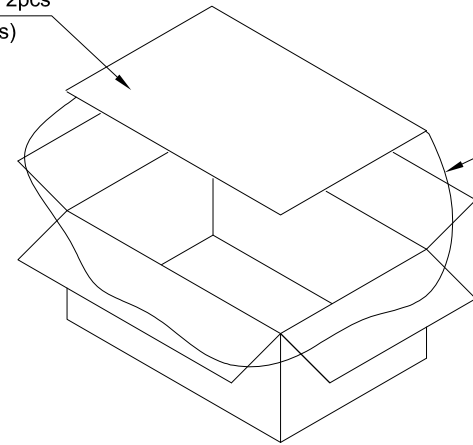
Fakra Straight Jack Cable



ZIP BAG:L240mmxW170mm.
1PC CABLE/ZIP BAG

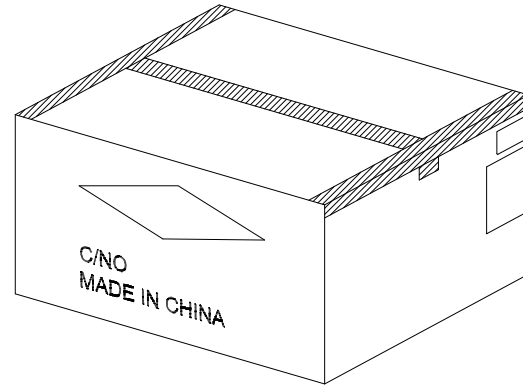
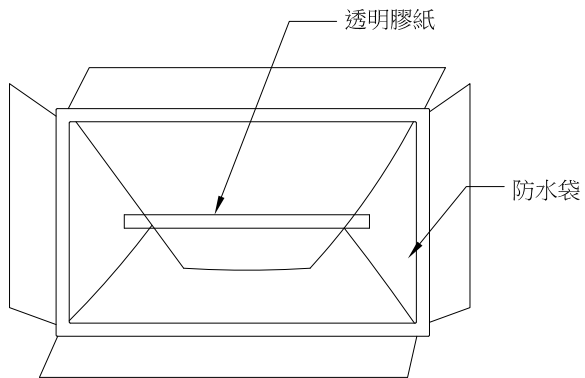


Paperboard *2pcs
(隔板*2pcs)



Waterproof *1pcs
(防水袋*1pcs)

CARTON



PO NO:
ITEM NO:
Q'TY: PCS
N.W.: KGS
G.W.: KGS
MEAS: 1.1'

(外箱側視圖)

(裝箱數量依首批實際訂單為主)

5	Desiccant	M90000EZ0000029	2g
4	Waterproof	M9BE71163507009	28"x25"*0.07mm
3	Cardboard(B3B)	M9EE330330000300	330x330mm
2	Carton	M9CE406330165500	16"*13"*6.5"
1	ZIP BAG		240*170mm
ITEM	DESCRIPTION	PART NUMBER	SPECIFICATION

包裝說明:

- 1.單PCS成品繞線後放入夾鍊袋.
- 2.先在紙箱底部放一層隔板,再套一個防水袋.將產品整齊擺放至紙箱中,上面放入乾燥劑,收攏袋口,最後上層放一層隔板,裝好產品後,防水袋需用透明膠紙封口.

UNLESS OTHERWISE SPECIFIED TOLERANCE

ANG.	±2°
0.	±1
.0	±0.5
.00	±0.25

SCALE: AS SHOWN UNIT: mm

CHANT SINCERE CO.,LTD
TEL:886-02-86471251 FAX:886-02-86472962

DRAWN	Vicky	23/03/2021
CHECKED		
APPROVED		
DATE		

Title:	PDR-19063
Part NO.	C7S24XX3A01SEXXX
Code:	GC
Customer:	

Zone	Revision	DESCRIPTION	DATE
	X4	Change outline	23/03/2021
	X3	Update	03/12/2020

3/3

C