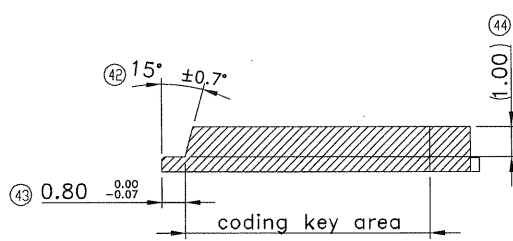
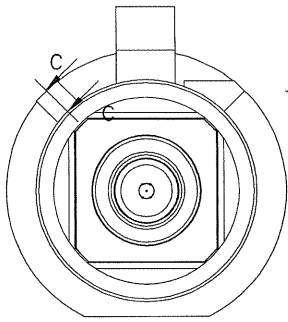


**SPECIFICATION**  
**MATERIAL:**  
 Insulator: PA6T (E630N)  
 Contacts: Brass C2680  
 Shell: Zamak3  
**CONTACT PLATING:**  
 Contact area: 6u" Selective Gold  
 Solder tails area: 50u"~150u" Tin(Matte)  
**ELECTRICAL:**  
 Impedance: 50 Ohms  
 Insulator Resistance: 1000 Mohms Min. at 100V DC  
 Withstanding Voltage: AC 780Vrms Min. 60Hz  
 Voltage Rating: AC 335Vrms  
 Current Rating: 1.0A Max.  
 Contact Resistance: 5 Mohms Max. at 20mV Max.  
 Operation Temp. Range: -40 degree to +105 degree  
 Mating cycles: 25 insertions

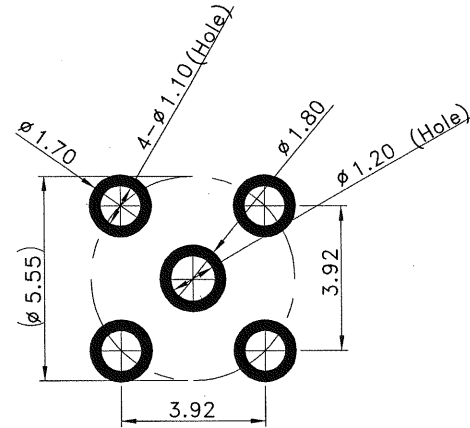
- Part no. 410 A F 01 R 6 T A2 9 2 X X  
 1 2 3 4 5 6 7 8 9 10 11 12
- SERIES NO. 410=Fakra Series
  - A=DIP Type
  - GREEN OPTION: F=RoHS (Matte Plated)
  - CONTACT NUMBER: 01=1 PINS
  - CONTACT TYPE: R=MALE
  - CONTACT AREA PLATING: 6=6u" GOLD
  - SOLDER TAILS AREA PLATING: T=50u"~150u" Tin(Matte)
  - APPLY TYPE: A2=Vertical
  - SHELL PLATING: 9=40u"~120u" Tin(Matte)
  - FILL IT WITH "2": 11.PACKING STYLE: C=TAPE REEL, 3=TAPE REEL+CAP, 4=TAPE REEL+MYLAR
  - INSULATOR COLOR: A=Black, B=White, C=Blue, D=Bordeaux, E=Green, F=Brown, G=Grey, H=Violet, I=Beige, K=Curry, L=Carmine Red, M=Pastel Orange, N=Pastel Green, Z=Water Blue



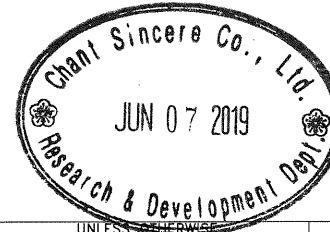
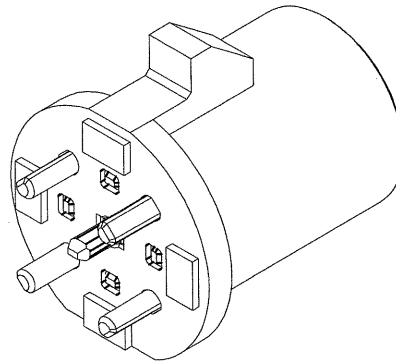
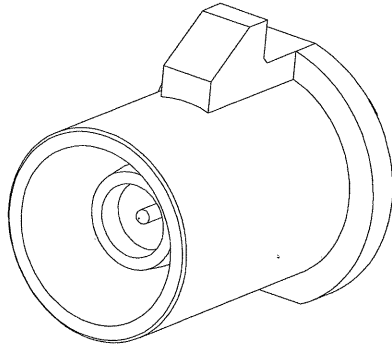
SCALE: AS SHOWN	UNIT: mm	OTHERWISE SPECIFIED TOLERANCE	
X < 1 ±0.05 1 ≤ X ≤ 6 ±0.10 6 ≤ X ≤ 30 ±0.15 30 ≤ X ±0.25 Radius 0.2 max Angle ±2°	CHANT SINCERE CO.,LTD TEL:886-02-86471251 FAX:886-02-86472962		
DRAWN PEARL 05/29/2019 CHECKED Jerry 06/06/2019 APPROVED Jerry 06/06/2019	DRAWN NAME: PDR-18074 Fakra Plug (Vertical Type) 1/4 (Stamping Contact) PRODUCT NO. 410AF01R6TA292XX		
REV. DESCRIPTION DATE SIZE A4 REV. B FILE NAME: C-410AF01R6TA292XX			



coding key cross section  
剖面圖 C-C



RECOMMENDED PCB LAYOUT  
TOLERANCES ±0.05mm



UNLESS SPECIFIED TOLERANCE	
X < 1	±0.05
1 ≤ X ≤ 6	±0.10
6 ≤ X ≤ 30	±0.15
30 ≤ X	±0.25
Radius	0.2 max
Angle	±2°

SCALE: AS SHOWN UNIT: mm



CHANT SINCERE CO., LTD  
TEL: 886-02-86471251 FAX: 886-02-86472962

DRAWN PEARL 05/29/2019

DRAWN NAME: PDR-18074

CHECKED Jerry 06/06/2019

Fakra Plug (Vertical Type) 2/4 (Stamping Contact)

APPROVED [Signature] 06/06/19

PRODUCT NO. 410AF01R6TA292XX

REV.

B ECN-195087(Jerry) See Dwg 1/4

05/29/2019

CHECKED

Jerry 06/06/2019

A ECN-192034(Jerry) X3 Change to A

03/04/2019

APPROVED

[Signature] 06/06/19

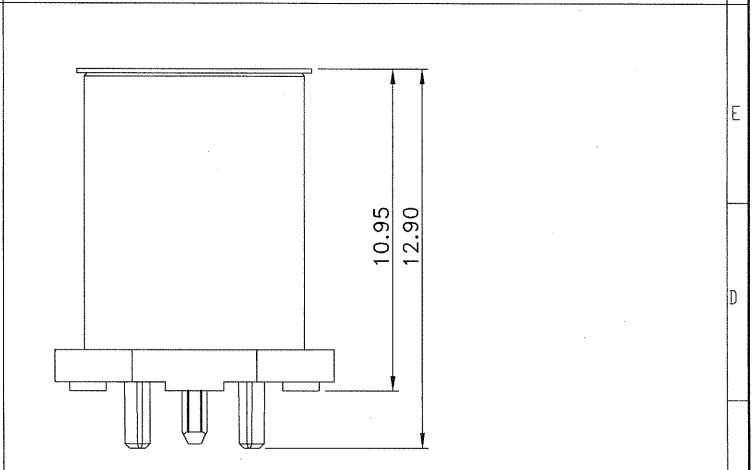
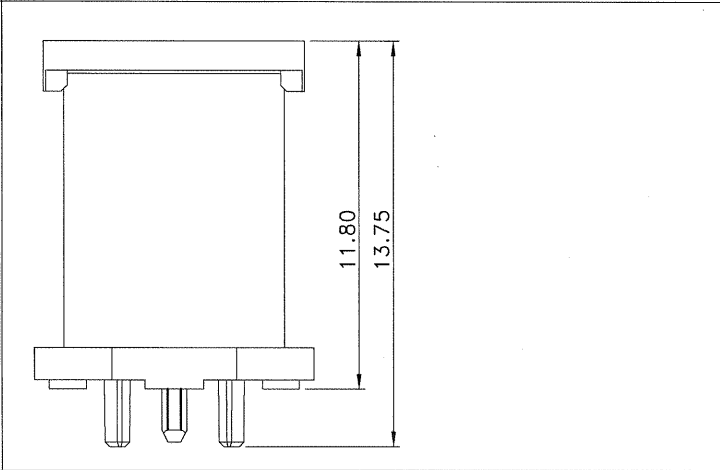
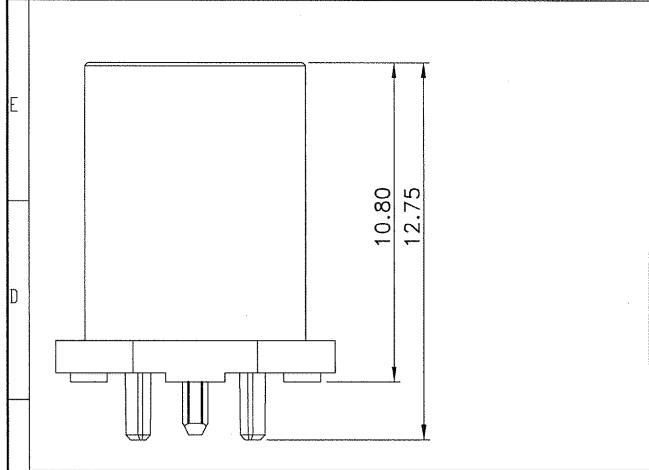
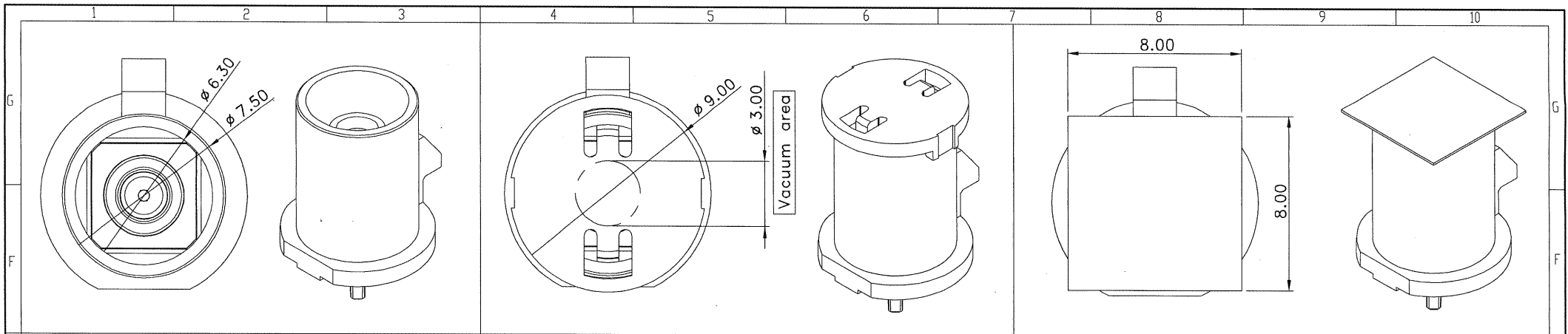
DESCRIPTION

DATE

SIZE

A4 REV. B

FILE NAME: C-410AF01R6TA292XX



Standard

With Cap

With Mylar

410AF01R6TA292CX

410AF01R6TA2923X

410AF01R6TA2924X



UNLESS OTHERWISE SPECIFIED TOLERANCE	
X<1	±0.05
1 ≤ X ≤ 6	±0.10
6 ≤ X ≤ 30	±0.15
30 ≤ X	±0.25
Radius	0.2 max
Angle	±2°



CHANT SINCERE CO., LTD  
TEL:886-02-86471251 FAX:886-02-86472962

SCALE: AS SHOWN UNIT: mm

DRAWN PEARL 05/29/2019  
CHECKED Jerry 06/06/2019  
APPROVED Jerry 06/06/2019

DRAWN NAME: PDR-18074  
Fakra Plug (Vertical Type) 3/4 (Stamping Contact)

PRODUCT NO. 410AF01R6TA292XX

REV.	DESCRIPTION	DATE
B	ECN-195087(Jerry) See Dwg 1/4	05/29/2019
A	ECN-192034(Jerry) X3 Change to A	03/04/2019

FILE NAME: C-410AF01R6TA292XX

Codings 1:1

Coding	A	B	C	D	E	F	G
Plug							
Color	Black	White	Blue	Bordeaux Violet	Green	Brown	Grey
RAL	sim.9005	sim.9001	sim.5005	sim.4004	sim.6002	sim.8011	sim.7031
Coding	H	I	K	L	M	N	Z
Plug							
Color	Violet	Beige	Curry	Camine Red	Pastel Orange	Pastel Green	Water Blue
RAL	sim.4003	sim.1001	sim.1027	sim.3002	sim.2003	sim.6019	sim.5021



UNLESS OTHERWISE SPECIFIED TOLERANCE	
X < 1	±0.05
1 ≤ X ≤ 6	±0.10
6 ≤ X ≤ 30	±0.15
30 ≤ X	±0.25
Radius	0.2 max
Angle	±2°
SCALE: AS SHOWN	UNIT: mm



CHANT SINCERE CO.,LTD  
 TEL:886-02-86471251 FAX:886-02-86472962

B	ECN-195087(Jerry) See Dwg 1/4	05/29/2019	DRAWN PEARL 05/29/2019	DRAWN NAME: PDR-18074
A	ECN-192034(Jerry) X3 Change to A	03/04/2019	CHECKED Jerry 06/06/2019	Fakra Plug (Vertical Type) 4/4 (Stamping Contact)
REV.	DESCRIPTION	DATE	APPROVED Jerry 06/06/2019	PRODUCT NO. 410AF01R6TA292XX
			SIZE A4	FILE NAME: C-410AF01R6TA292XX