



GPS/GSM Combination Antenna With SMA cable

CS COMBI-GPS/GSM-01

1. Introduction

The GPS/GSM combo antennas have been designed to provide maximum performance and versatility for telematics applications, including fleet monitoring and asset tracking.

The antennas precise performance and easy of installation provides outstanding value and flexibility for the most demanding wireless mobile applications.

Magnetic mount, and permanent adhesive mount will be choose. It is good use to put it on top of the car, and then take it for travel



2. Specification

Electrical

GPS Part:	Dielectric Antenna	
	Frequency Range	1575.42MHZ±3 MHz
	Polarization Type	RHCP
	Gain	5dBi
	V.S.W.R	1.5:1
	Impedance	50 ohm
	LNA	
	LNA Gain	30dB Typical
	Noise Figure	1.5dB
	Ex-band Attenuation	12dB@CF+50MHz/16dB@CF-50MHz
	V.S.W.R	2.0:1
	Voltage	2.7/3.0/3.3/5.0/3.0 to 5.0 etc.
	Current Consumption(mA)	11 Max
	GSM Part:	Frequency range
V.S.W.R		2.0:1
Gain		2dBi
Polarization		Linear
Impedance		50Ω

Mechanical

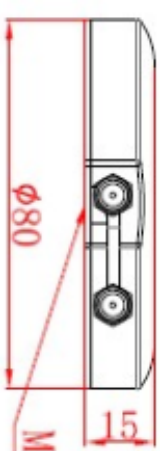
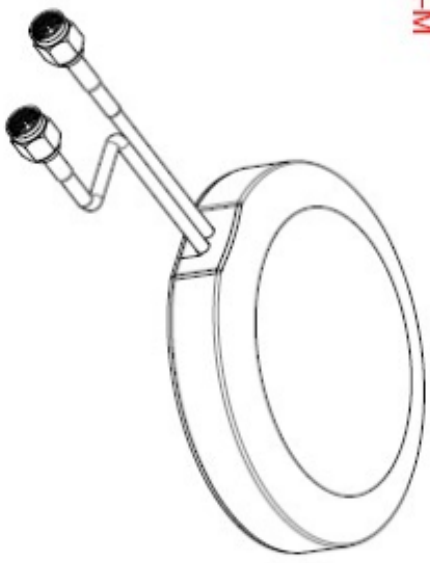
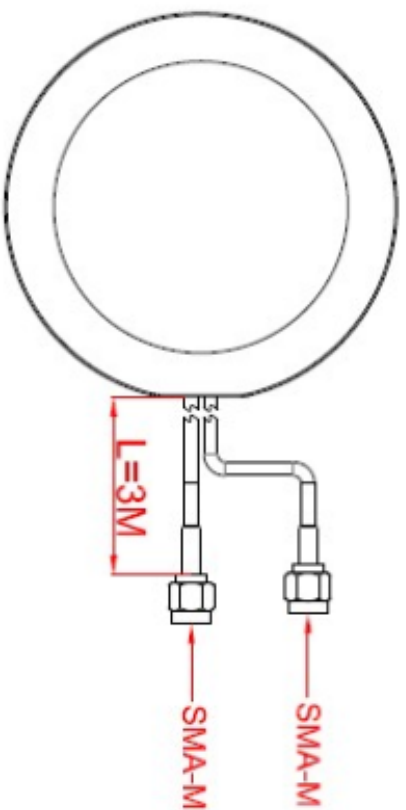
	Housing	Black
	Cable	RG174
	Length	3/5M(can be customization)
	Connector	SMA Male(can be customization)

Environmental

	Working Temp	-40℃~+80℃
	Humidity	55%-75%RH
	Waterproof	IP65
	Antenna Radome Material	ABS
	Mount way	Magnetic/Self-adhesive
	Antenna Dimension	Φ80×14 mm
	Weight	230g
	RoHS Compliant	YES

Drawing

Product Type ACCGPS/GPS
Combination ANT -01(M)



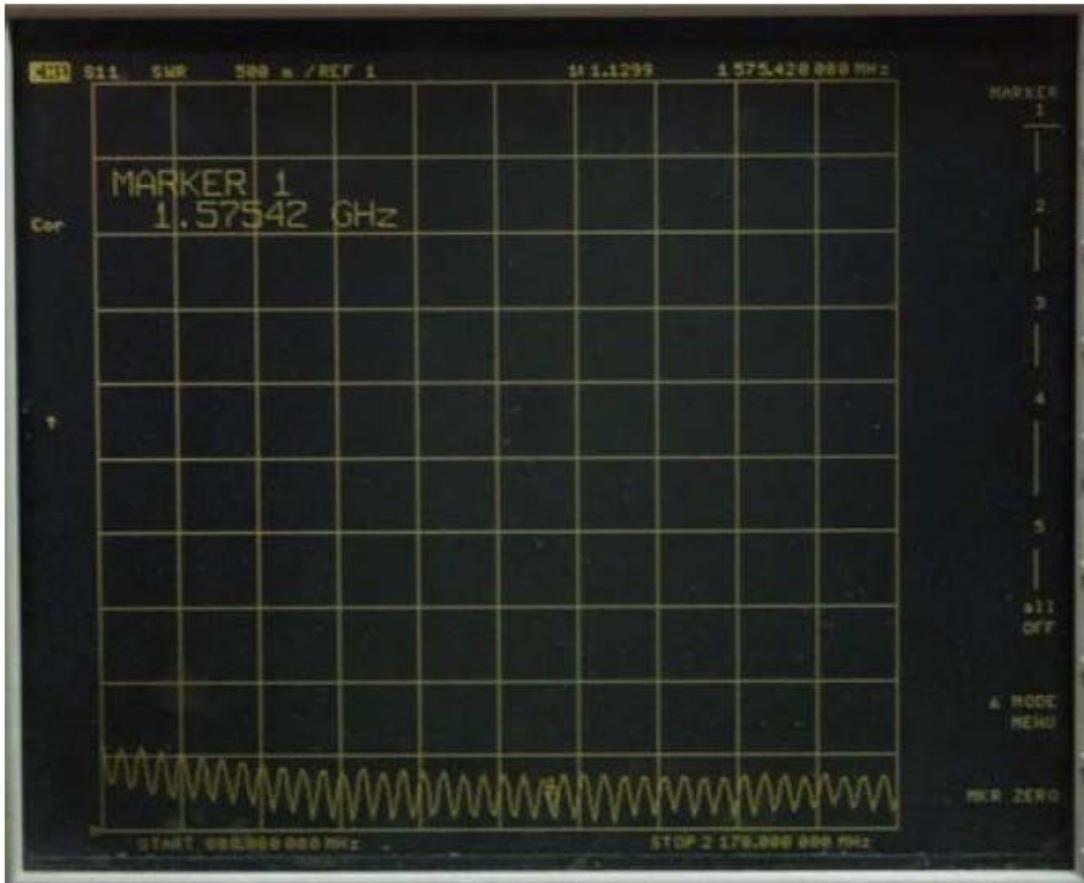
Magnetic/Stick

technology : RoHS

NO.	PARTNAME	DESCRIPTION	MATERIAL	SHEET	1/1	UNIT	MM	Qty	1PCS	DR.	Y.J.P
3								160g	160g	VENDER	VIVIS
2			STANDARD					Wet	160g	CHKD	BEN
1				P/No: SPEC				REV	A	DAY	2013/02/17
				DWG NO.	ACC-GPS/GSM-01-M						
					1/1	UNIT	MM	投影法			

4.V.S.W.R

GPS



GSM

