



## Ultra Wide-Band 2G/3G/4G LTE/Cellular/CDMA and GPS/GLONASS Antenna

### Model: CS COMBI-GPS(GLONASS)/LTE-BQX

#### 1. Introduction

The 2 in 1 GPS/LTE antenna is a low profile, heavy duty, waterproof reach IP67.

It use by RF professionals in telematics, transportation and remote monitoring applications.

It combines the highest possible efficiency and peak gain in GPS/2G/3G/4G in a low profile compact format for mounting via high quality first tier .

For installation combines 3M adhesive foam, screw mount together.

The antenna has its own ground-plane and can radiate on any mounting environment like metal or plastic without affecting performance.

The cables are low loss allowing for lengths of up to 10 meters , critical for buses, trains and other commercial transport applications.

Customized cables and connector version available



## 2. Specification

### Electrical

#### GPS(Glonass) part:

Operating Frequency	1575.42MHZ±3 MHz/1602-1610MHz
Gain	28±2dB Typical
V.S.W.R	<2.0
Polarization	RHCP
Radiation	Omni
Maximum Input Power	50W
Impedance	50Ω
Noise Figure	1.5dB
DC Voltage	2.2-5.0V
DC current	5-15mA
Antenna Radome Material	ABS

#### LTE Part:

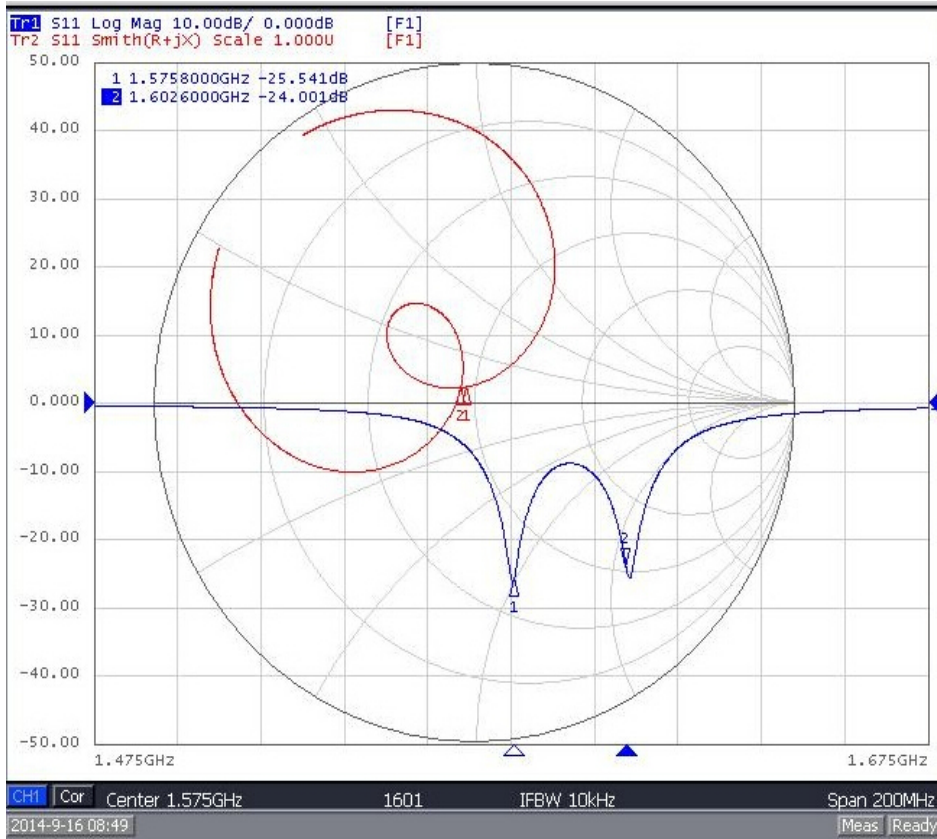
Frequency range	698-960/1710-2700MHZ
VSWR	2.0:1
Gain	3dBi
Polarization	Linear
Impedance	50Ω

### Mechanical

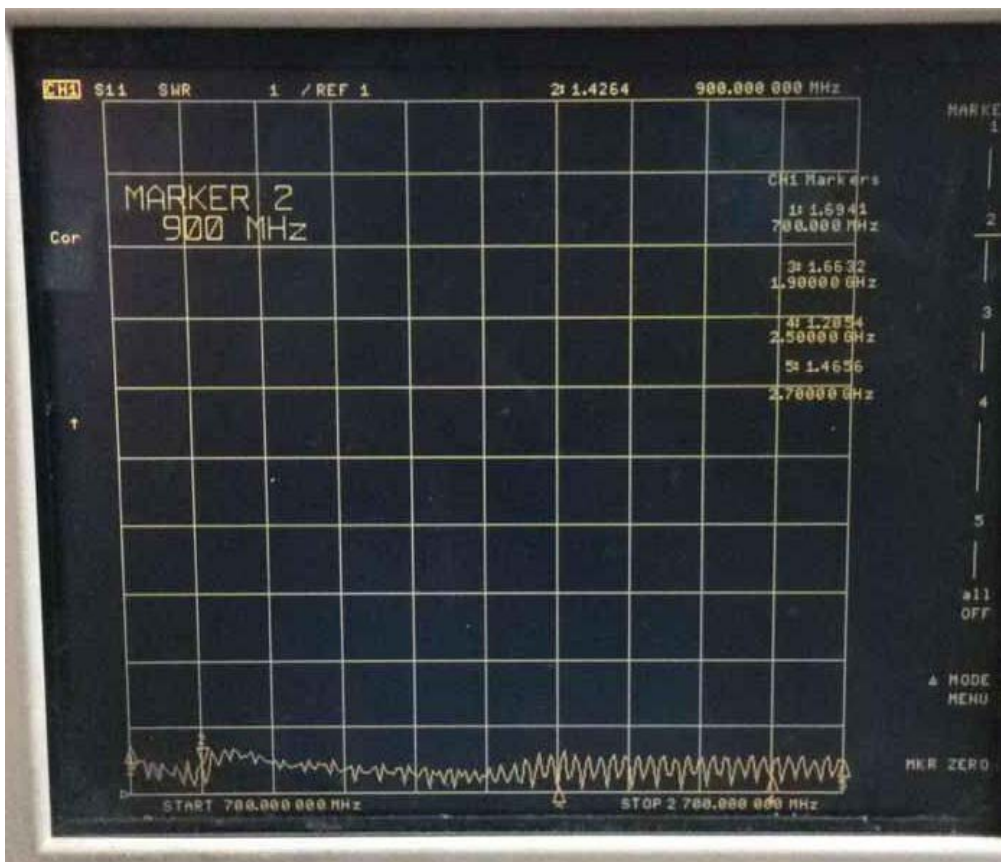
Mounting Method	Sticker
Housing	Black
Cable	RG316/RG178/RG174/RG58U etc
Length	3M(can be customization)
Connector	SMA Male(can be customization)
Operating Temperature	-40°C~+85°C
Waterproof	IP67
Humidity	95%~100%RH
Antenna Dimension	Φ143.6×65 mm
Weight	1KG

# 3.V.S.W.R

GPS/GLONASS

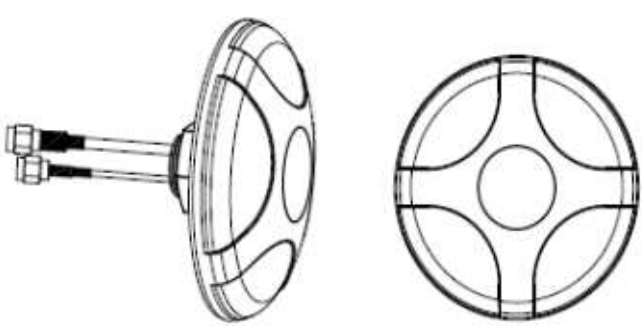
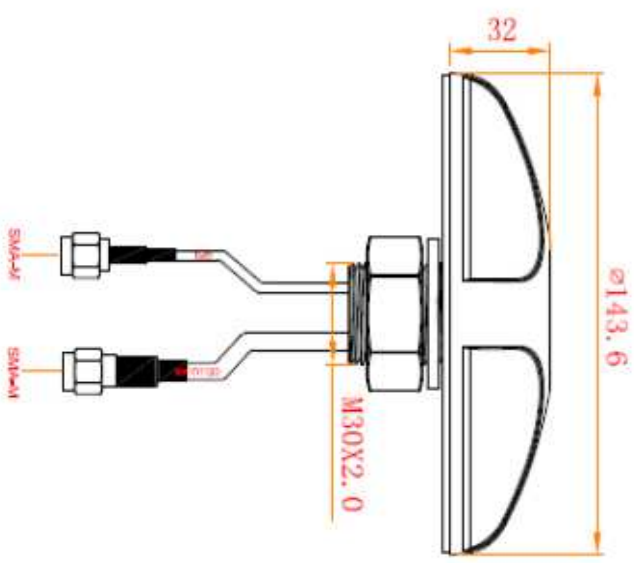


LTE



Drawing

Product Type P/N:AC-8QX-2  
Combination



Technology: Rohs

NO.		PARTNAME		DESCRIPTION		SHEET		I/1		UNIT		MM		投影法		DAY		2018-0:	
3																			
2				STANDARD	P/No:	AC-8QX-2	Qty	1PCS	DR.	GT.Z									
1					SPEC		Wei	1.0KG	VENDER	PLY									
				MATERIAL	DWG NO.	AC2014-8QX	REV	A	CHKD	BEN									



ASIAN CREATION COMMUNICATION CO.,LT  
www.acantenna.com