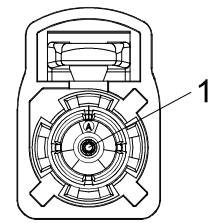
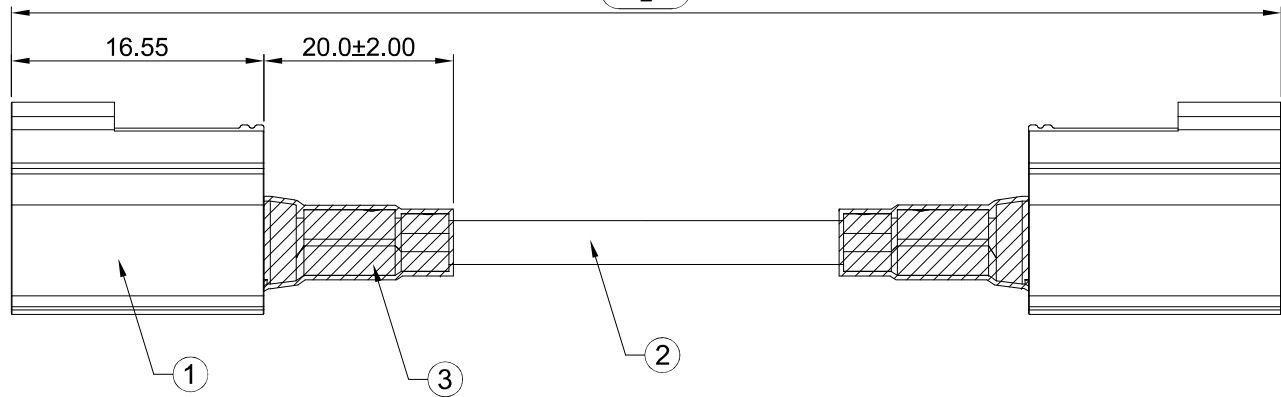


Front View Side A



Front View Side B

**ELECTRICAL TEST:**

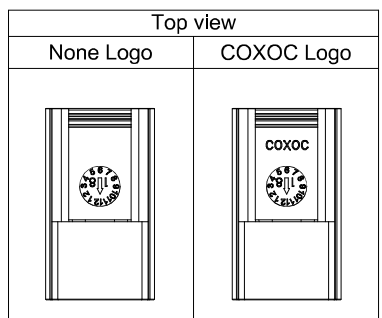
- 1.Cable must be Open,Short,Miswired 100% Test.
- 2.Impedance: 50ohm
- 3.Temperature range: -40°C TO +105°C
- 4.Part No:.

C7	S2	4	XX	3	A02S	E	XXX
1	2	3	4	5	6	7	8

- 1.SERIES NO.  
C7=BNC TYPE
- 2.CONNECTOR OPTION:  
S2=Fakra 180°/Fakra 180°
- 3.CONTACT TYPE  
4=F/F
- 4.CODE:  
AA=A/A ; BB=B/B ; CC=C/C;  
DD=D/D ; ..... ; ZZ=Z/Z
- 5.CABLE COLOR:  
3=Black
- 6.TYPE.  
A02=None Logo  
A02S=COXOC Logo
- 7.GREEN OPTION:  
E=RoHS
- 8.Length:  
1M0=1000±20mm  
2M0=2000±35mm  
5M0=5000±50mm

**PIN OUT**

Side A                      Side B  
 1 SIGNAL WIRE            1  
 Shield                      Shield



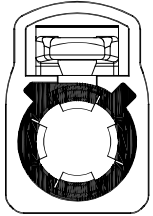
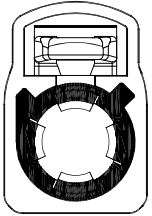
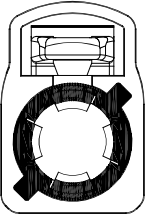
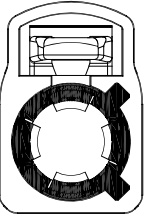
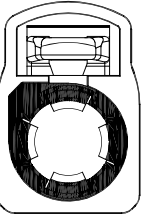
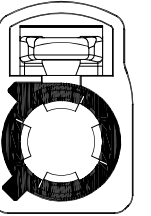
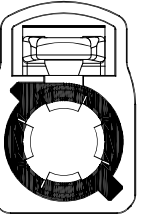
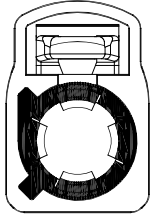
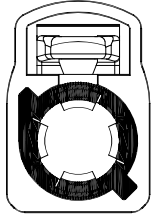
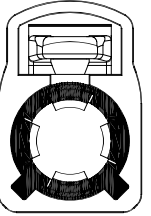
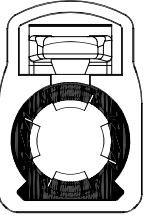
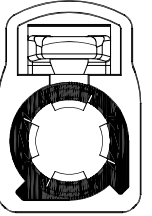
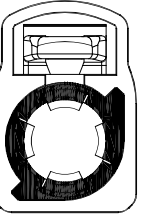
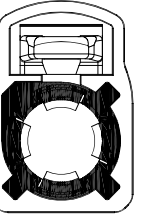
For SIP

3	H.S.T	HEAT SHRINK TUBE OD:5.0mm, Black	2
2	Cable	RTK031:22AWG Coaxial+Al-mylar+Braid OD:3.3±0.2,Jacket:PVC,Black	A/R
1	Fakra Straight Jack	Thermoplastic UL94V-0, 30u" Gold	2
ITEM	PART	DESCRIPTION	QTY

UNLESS OTHERWISE SPECIFIED TOLERANCE	
ANG.	±2°
0.	±0.30
.0	±0.20
.00	±0.10
SCALE:	AS SHOWN
UNIT:	mm

**CHANT SINCERE CO.,LTD**  
 TEL:886-02-86471251 FAX:886-02-86472962

(3,A)	X5	Add 5M	31/12/2020	DRAWN Vicky	31/12/2020	Title:	Fakra Straight Jack Cable (RTK-031)	1/3
	X4	Update	03/12/2020	CHECKED Jason_H	31/12/2020	Part NO.	C7S24XX3A02SEXXX	C
	X3	Add Packing	25/09/2020	APPROVED		Code: GC	Customer:	
Zone	Revision	DESCRIPTION	DATE		SIZE A4	REV.	X5	

Coding	A	B	C	D	E	F	G
Plug							
Color	Black	White	Blue	Bordeaux Violet	Green	Brown	Grey
RAL	sim.9005	sim.9001	sim.5005	sim.4004	sim.6002	sim.8011	sim.7031
Coding	H	I	K	L	M	N	Z
Plug							
Color	Violet	Beige	Curry	Carmin Red	Pastel Orange	Pastel Green	Water Blue
RAL	sim.4003	sim.1001	sim.1027	sim.3002	sim.2003	sim.6019	sim.5021

UNLESS OTHERWISE SPECIFIED TOLERANCE

ANG.	±2°
0.	±0.30
.0	±0.20
.00	±0.10

SCALE: AS SHOWN      UNIT: mm



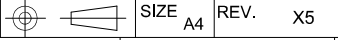
**CHANT SINCERE CO.,LTD**  
 TEL:886-02-86471251 FAX:886-02-86472962

Title:PDR-19063  
 Fakra Straight Jack Cable (RTK-031)

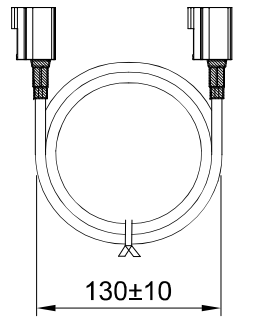
Part NO. C7S24XX3A02SEXXX

Code: GC      Customer:

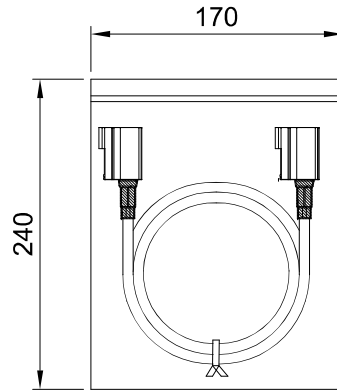
X5	See dwg 1/3	31/12/2020
X4	Update	03/12/2020
X3	Add Packing	25/09/2020
Zone	Revision	DESCRIPTION
		DATE



REV. X5



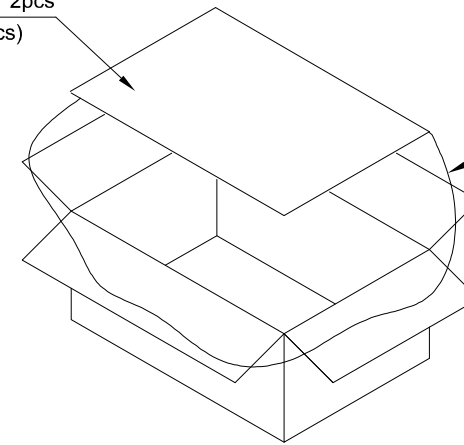
Fakra Straight Jack Cable



ZIP BAG:L240mmxW170mm.  
1PC CABLE/ZIP BAG

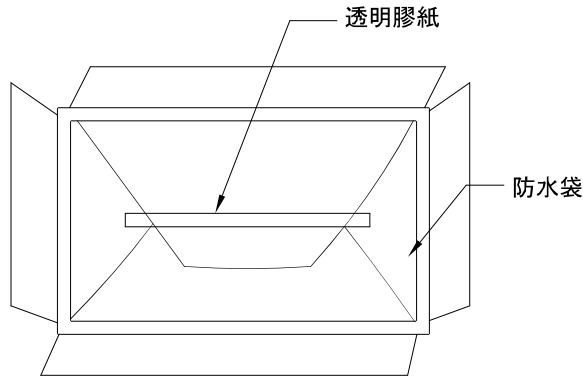


Paperboard \*2pcs  
(隔板\*2pcs)



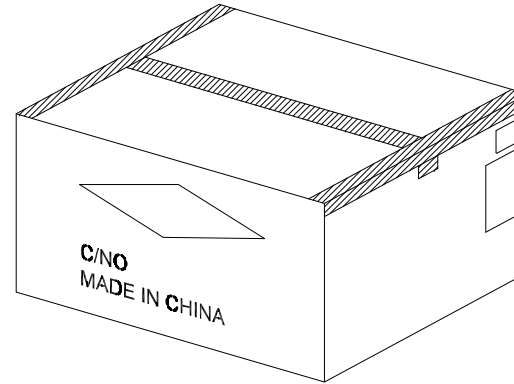
Waterproof \*1pcs  
(防水袋\*1pcs)

CARTON



透明膠紙

防水袋



PO NO:  
ITEM NO:  
Q'TY: PCS  
N.W.: KGS  
G.W.: KGS  
MEAS: 1.1'

(外箱側視圖)

(裝箱數量依首批實際訂單為主)

5	Desiccant	M90000EZ0000029	2g
4	Waterproof	M9BE71163507009	28"x25"*0.07mm
3	Cardboard(B3B)	M9EE330330000300	330x330mm
2	Carton	M9CE406330165500	16"*13"*6.5"
1	ZIP BAG		240*170mm
ITEM	DESCRIPTION	PART NUMBER	SPECIFICATION

包裝說明:

- 1.單PCS成品繞線後放入夾鍊袋.
- 2.先在紙箱底部放一層隔板,再套一個防水袋.將產品整齊擺放至紙箱中,上面放入乾燥劑,收攏袋口,最後上層放一層隔板,裝好產品後,防水袋需用透明膠紙封口.

UNLESS OTHERWISE SPECIFIED TOLERANCE		<p><b>CHANT SINCERE CO.,LTD</b> TEL:886-02-86471251 FAX:886-02-86472962</p>	
ANG.	±2°		
0.	±1	Title:PDR-19063	
.0	±0.5	Fakra Straight Jack Cable (RTK-031)	
.00	±0.25	Packing	
SCALE: AS SHOWN	UNIT: mm	Part NO.	C7S24XX3A02SEXXX
DRAWN Vicky	31/12/2020	Code: GC	Customer:
CHECKED Jason_H	31/12/2020		
APPROVED			

X5	Update		31/12/2020
X4	Update		03/12/2020
X3	Add Packing		25/29/2020
Zone	Revision	DESCRIPTION	DATE

3/3

C