



## LTE 2.4/5.8G High Gain Magnetic Mount Ultra-Wide Band Antenna CS CS5-Q2458-DL110

### 1. Introduction

The CS CS5-Q2458-DL110 antenna delivers stable high omni-directional gain and across all 2.4G&5.8G

This high performing antenna can be used for all cellular devices and will not require changing antennas when deploying from country to country or technology to

technology like WIFI&WIRELESS

Being magnetic mount it is designed to be mounted on a ground plane for optimal performance



### 2. Specification

#### Electrical

Frequency Range	2400-2483MHz/5725-5850MHz
Band width	83/125MHz
Gain	4dBi
V.S.W.R	≤2.0
Radiation	Omni-direction
Polarization	Vertical
Maximum Input Power	50W
Impedance	50Ω
Antenna Radome Material	ABS
Connector	SMA Male
Cable Type	RG174/58U
Cable Length	3m
Mount way	Magnetic

#### Mechanical

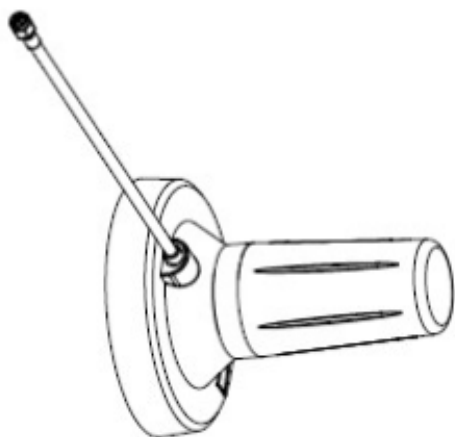
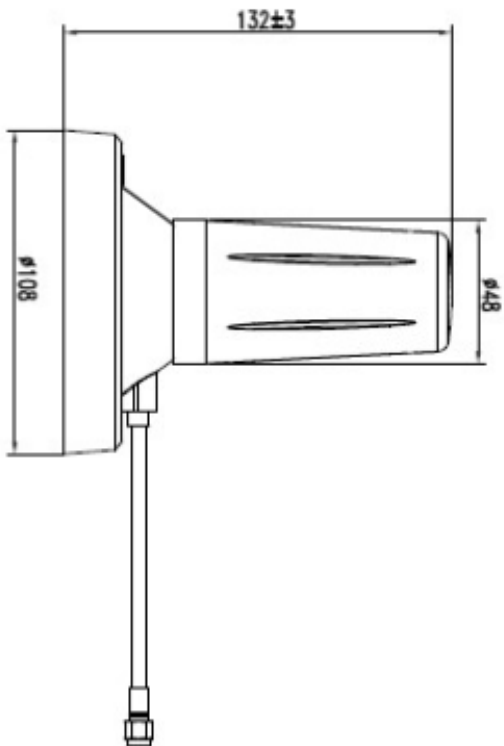
Dimensions	Φ110×132mm or Φ110×120mm
Weight	350g
Operating Temperature	-40°C to+70°C
RoHS Compliant	YES

### 3.Drawing

Drawing

Product Type  
Terminal Ant

P/N:AC-Q2458-DL110B



Technology: RoHS

NO.	PARTNAME	DESCRIPTION	MATERIAL	DWG NO.	SHEET	1/1	UNIT	MM	Qty	DR.	YJP	
3												
2			STANDARD	P/No:					1PCS	DR.	YJP	
1				SPEC					430g	VENDER	CHER	
									REV	A	CHKD	BEN
									投影法		DAY	2015/11/24



ASIAN CREATION COMMUNICATION CO.,LTD  
www.acantenna.com

AC-Q2458-DL110B

Qty

1PCS

DR.

YJP

Weight

430g

VENDER

CHER

REV

A

CHKD

BEN

投影法

DAY

2015/11/24